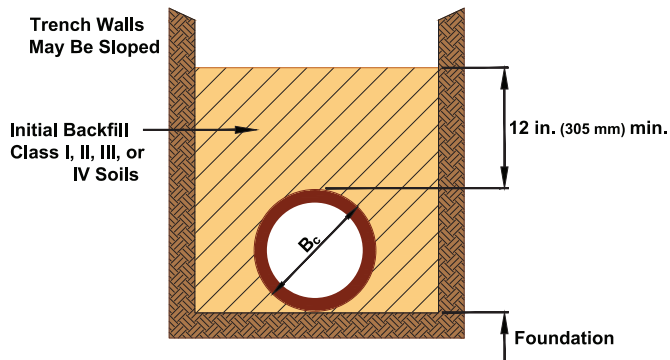


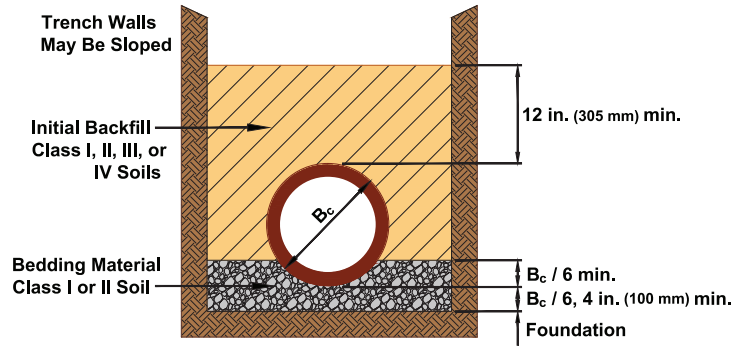
Bedding Classes and Load Factors per ASTM C12

ASTM C12 Standard Practice for Installing Vitrified Clay Pipe Lines

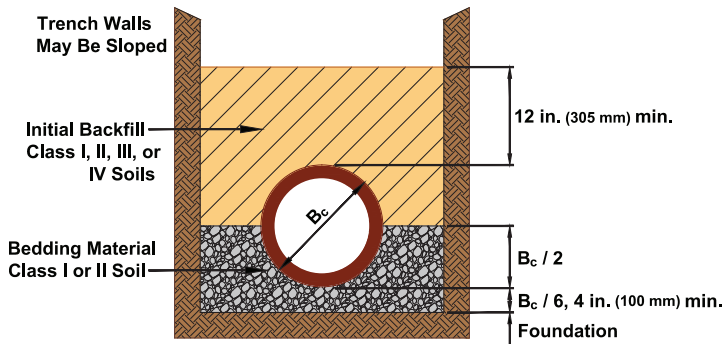
Class D Bedding Load Factor = 1.1



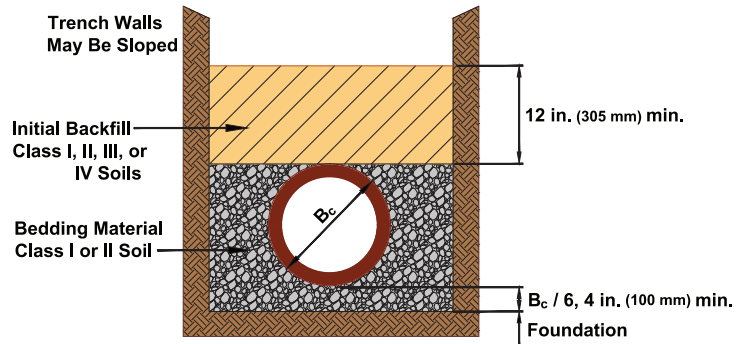
Class C Bedding Load Factor = 1.5



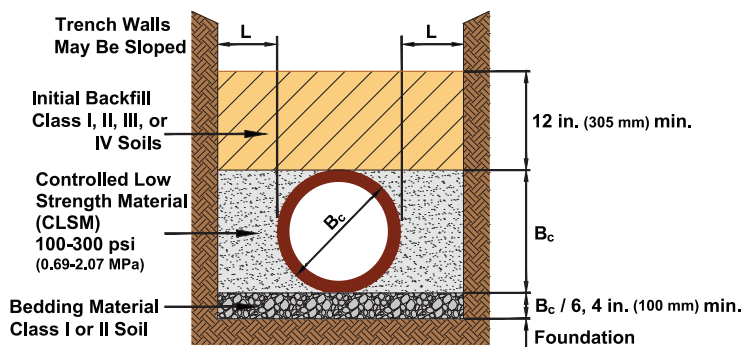
Class B Bedding Load Factor = 1.9



Crushed Stone Encasement Bedding Load Factor = 2.2



Controlled Low Strength Material (CLSM) Bedding Load Factor = 2.8



$L = 9 \text{ in. (229 mm) min. For Pipe Dia. 8-21 in.}$
 $L = 12 \text{ in. (305 mm) min. For Pipe Dia. 24 in. and Greater}$

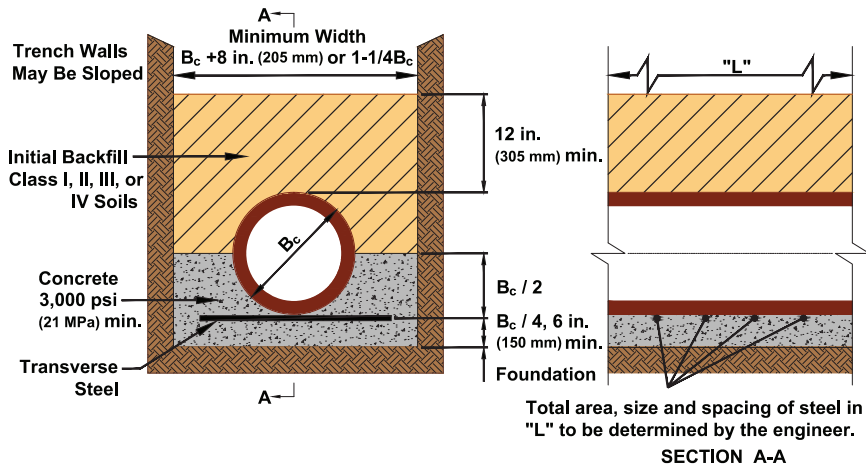


NATIONAL CLAY PIPE INSTITUTE
The VCP Authority Since 1917

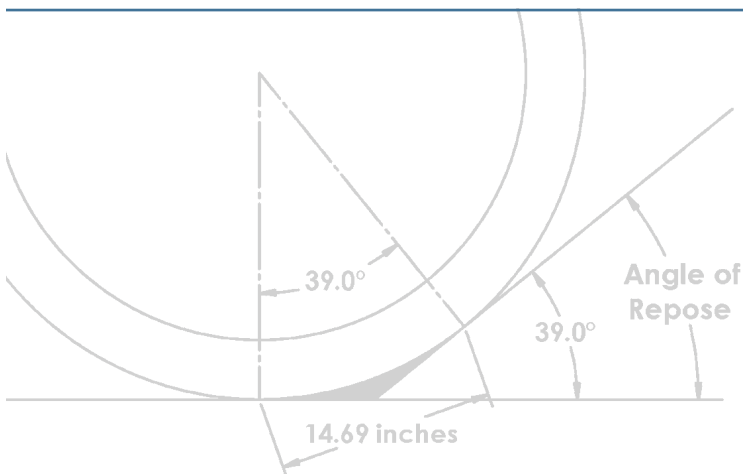
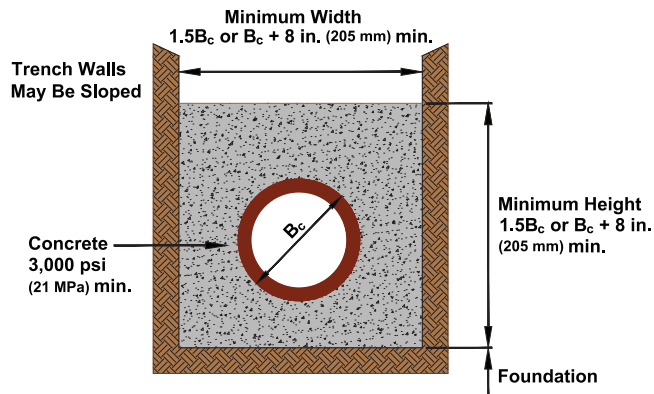
ncpi.org • 262-742-2904

Bedding Classes and Load Factors per ASTM C12

Concrete Cradle Bedding Load Factor = 3.4



Full Concrete Encasement



NATIONAL CLAY PIPE INSTITUTE
The VCP Authority Since 1917

ncpi.org • 262-742-2904